

The [revoseal](#) sealing technology is unique in the global market.

All other manufacturers use the soft layers (e.g. Spiral wound gaskets, Camprofiles, Tanged Graphite, corrugated graphite) as primary sealing compound. The metal is only used as carrier, reinforcement or restricted blow out preventer.

Cross section of a standard camprofile gasket:



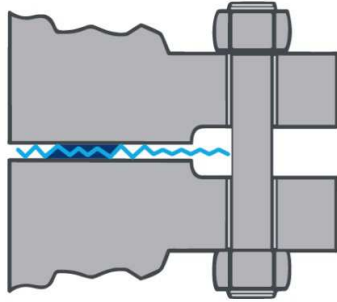
Cross section of a [revoseal](#) JG-2:

The primary sealing element of all revoseal products and designs is metal.

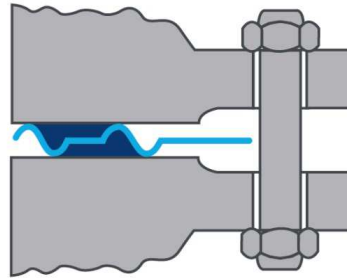


The soft layers function is primarily to act as a limiter and to clearly regulate the max. load to be applied on to the gasket.

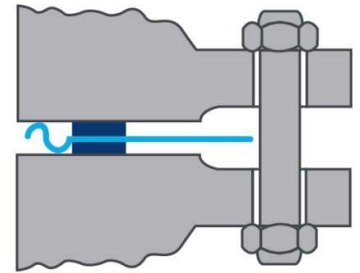
Other cross sections of [revoseal](#) gaskets:



Revolution



ECO +



Visio

The benefits are:

- Metal sealing with encapsulated graphite
- Reduced bolt torque requirements
- Higher flange load - even with low quality bolts
- Better handling as of flexible metal foil
- Compensation for pressure and temperature variations
- Best cost-benefit ratio
- Increased plant availability and safety
- Higher blow out safety

Cost reduction effects:

- Unmatched plant availability (e.g. in a steam cracker from originally 72 % to 99 %)
- Dramatically reduced media loss (enormous cost saving potentials)
- Safety (no accidents, no unexpected shut downs)
- Environment (Extremely high tightness level)
- No graphite sticking (easy refurbishment, reduced time for regular shut downs)
- Temperature capacities up to 1.000 °C (1.800 ° F) without graphite oxydation.
(Can replace expensive metal seals like RTJ)
- Performs and meets highest environmental standards also with low grade bolts.
(Huge cost safing potential)