



The Nord-Lock combi bolt

Efficient. Accurate. Cost effective.



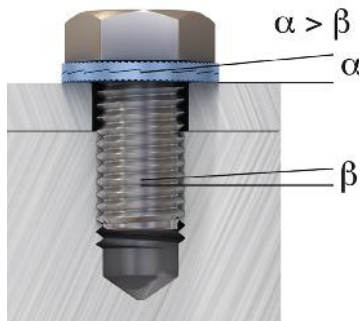
Authorised Distributor for INDIA
JEYSONS INDUSTRIES
Mob: +91-9819119925
Email: nord-lock@jeysons.com

NORD-LOCK®

Improving your efficiency, accuracy and cost effectiveness



The Nord-Lock combi bolt is a bolt with an integrated pair of Nord-Lock washers. With the Nord-Lock combi bolt, you will be able to increase the efficiency, accuracy and safety of your assembly, while at the same time keeping inventory and part count at a minimum. Based on our proven wedge-locking technology, the Nord-Lock combi bolt secures bolted joints and maintains a high clamp force even under severe operating conditions.



The Nord-Lock combi bolt secures bolted joints by using tension instead of friction. The cam angle 'α' is greater than 'β', creating a wedge effect that prevents any unintentional loosening of the bolt.

Your business benefits

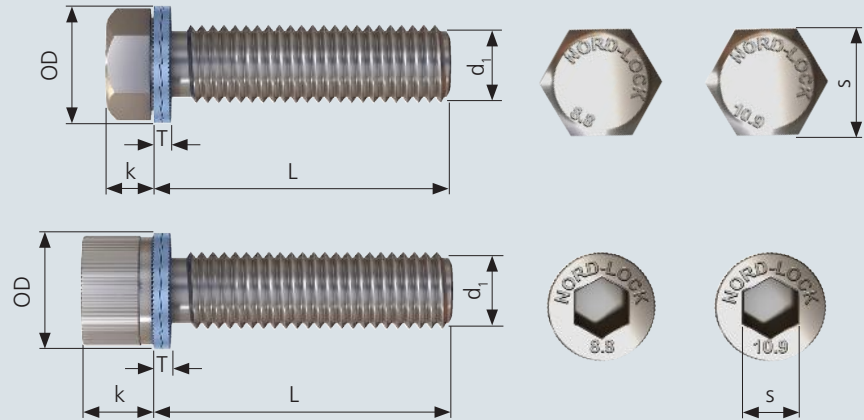
The concept of bolts with captivated washers brings numerous advantages to assembly lines and MRO (maintenance, repair, operations) settings in all kinds of industries. Nord-Lock takes the combi bolt concept to a whole new dimension, by incorporating the superior safety functions of our wedge locking washers. The Nord-Lock combi bolt is offered as a custom made product, where the fasteners are adapted to your specific applications.

Loose parts damaging or shutting down assembly lines during manufacturing or maintenance can be very costly. With the Nord-Lock combi bolt, you can rest assured that your parts are not only safely secured, but also correctly assembled. Furthermore, the Nord-Lock combi bolt is an easy-to-use product in field operations, as well as in confined spaces or areas where access is difficult.

Authorised Distributor for INDIA
JEYSONS INDUSTRIES
Mob: +91-9819119925
Email: nord-lock@jeysons.com

The Nord-Lock combi bolt - custom made for your applications

We offer the Nord-Lock combi bolt in the following washer and bolt dimensions, in accordance with the standards described below:



Bolt diameter, d_1	M4-M16
Bolt length L	10-120mm
Thread tolerance	6g
Washer material	EN 1.5528 or equivalent
Bolt grades	8.8, 10.9
Bolt head	Hex head cap according to ISO4017 Socket head cap according to ISO4762
Surface coating	Zinc-Nickel
Corrosion resistance	400 hours in salt spray test (according to ISO9227)
Washer hardness	425 HV1
Temperature range	-50°C through 200°C
Lubrication	The bolts are pre-lubricated to give an even and low friction condition
Environmental approvals and certificates	ELV & RoHS compliant Reach compliant ISO14001, ISO9001 certificates

Washer size	Bolt size metric d_1	Washer OD (mm)	Thickness T (mm)	Thread pitch (mm)
NLCB4	M4	7,6	1,8	0,7
NLCB5	M5	9	1,8	0,8
NLCB6	M6	10,8	1,8	1
NLCB8	M8	13,5	2,5	1,25
NLCB10	M10	16,6	2,5	1,5
NLCB12	M12	19,5	2,5	1,75
NLCB14	M14	23	3,4	2
NLCB16	M16	25,4	3,4	2

Authorised Distributor for INDIA
 JEYSONS INDUSTRIES
 Mob: +91-9819119925
 Email: nord-lock@jeysons.com

Hex head cap bolts (ISO4017)

d_1	k	s	L_{min}	L_{max}
M4	2,8	7	10	50
M5	3,5	8	10	60
M6	4	10	10	60
M8	5,3	13	16	80
M10	6,4	16	20	100
M12	7,5	18	20	100
M14	8,8	21	30	120
M16	10	24	30	120

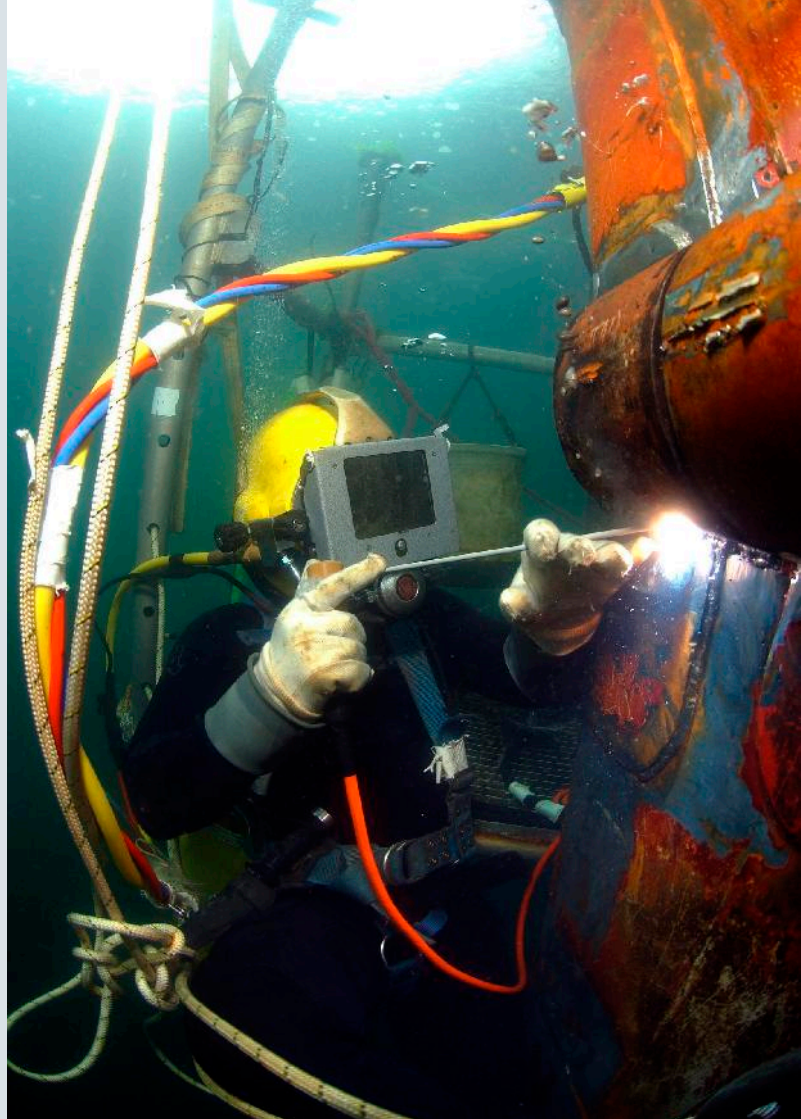
Socket head cap bolts (ISO4762)

d_1	k	s	L_{min}	L_{max}
M4	4	3	10	50
M5	5	4	10	60
M6	6	5	10	60
M8	8	6	16	80
M10	10	8	20	100
M12	12	10	20	100
M14	14	12	30	120
M16	16	14	30	120

Every batch of Nord-Lock combi bolts is delivered with customer specific torque guidelines for the ordered dimensions.



Authorised Distributor for INDIA
JEYSONS INDUSTRIES
Mob: +91-9819119925
Email: nord-lock@jeysons.com



Advantages of the Nord-Lock combi bolt

Nord-Lock offers a new type of combi bolt, incorporating our original wedge locking technology. A tightened Nord-Lock combi bolt cannot loosen by itself.

With the Nord-Lock combi bolt you are able to:

- Ensure faster product assembly, thanks to pre-assembled and pre-lubricated parts
- Decrease failures related to human error; incorrect mounting or forgetting to put on the washers
- Facilitate product assembly with very small sizes
- Maintain and repair in either difficult surroundings or areas of limited access faster, easier and safer
- Facilitate inventory and logistical savings due to reduced item numbers
- Make disassembly faster and easier as loose washers can be difficult to remove (especially from counter bore holes)

Authorised Distributor for INDIA
JEYSONS INDUSTRIES
Mob: +91-9819119925
Email: nord-lock@jeysons.com





Partner up with an expert in bolted assemblies

When you choose Nord-Lock you do not only choose a manufacturer and a supplier; you also choose an expert in bolted joints as a partner. Every day we meet our clients locally all over the world, working together to solve bolt securing problems in the most demanding applications.

Authorised Distributor for INDIA
JEYSONS INDUSTRIES
L11 to L14, Chaudhary Industry, Vakan Pada,
Nalasopara East, Tal. Vasai, Dist. Thane - 401209.
Mob: +91-9819119925
Email: nord-lock@jeysons.com

NORD-LOCK Group
Tel: +46 31 7192 300
Fax: +46 40 240 851
Email: info@nord-lock.com
www.nord-lock.com

By allowing Nord-Lock to analyze and optimize your bolted connections you can increase the profitability and productivity of your company by reducing the life cycle cost of your joints.



NORD-LOCK
Bolt securing systems